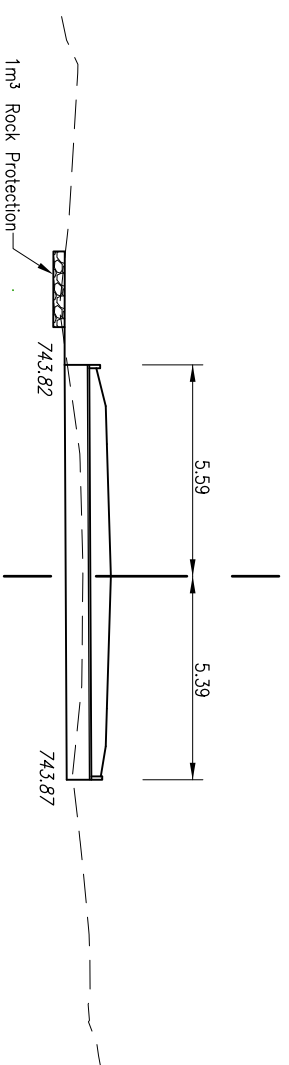
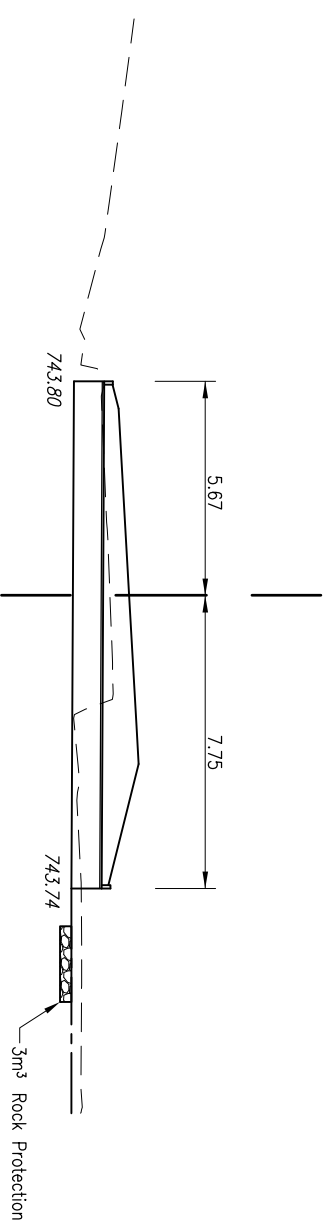


NOTES

1. Culverts to be installed in accordance with Department of Transport and Main Roads Std Drg No's 1260 and 1359.
2. 100mm Minimum Cover to RC Box Culverts.
3. 300mm Minimum Cover to Class 3 RC Pipes.
4. HSS Support for RC Pipes.
5. Cast In-Situ Cut Off Walls at End of Aprons. 200mm Thick x 600mm Deep with SL62 Mesh to Precast Headwalls.
6. Rock Protection to Extend for the Width of the Apron and be 300mm Thick (200mm Nom. Size) with Geotextile Underlay.
7. Undertake Inlet and Outlet Excavation, As Required.

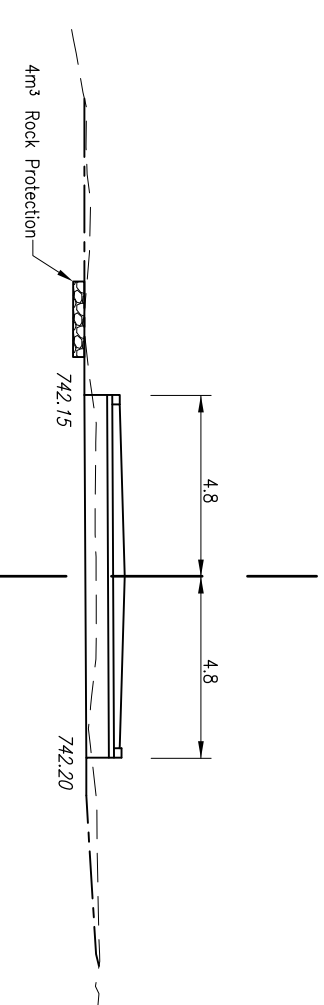


600 RCP (10.98) Class 3 32540
Precast Headwalls

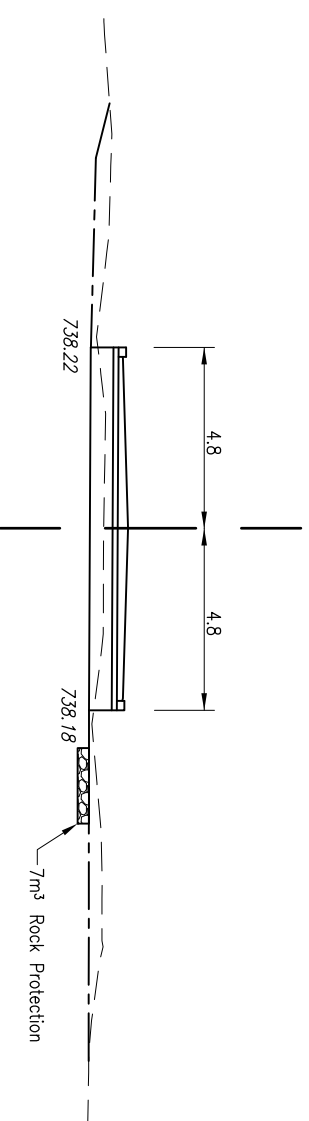


2/750 RCP (13.42) Class 3 31720
Precast Headwalls

Existing 375 RCP (9.07) 31720
To be Removed

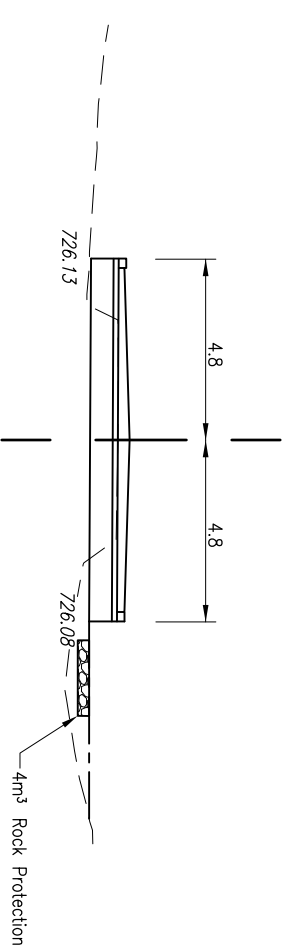


3/1200x600 RCBC (9.60) 30750
Cast In-Situ Headwalls



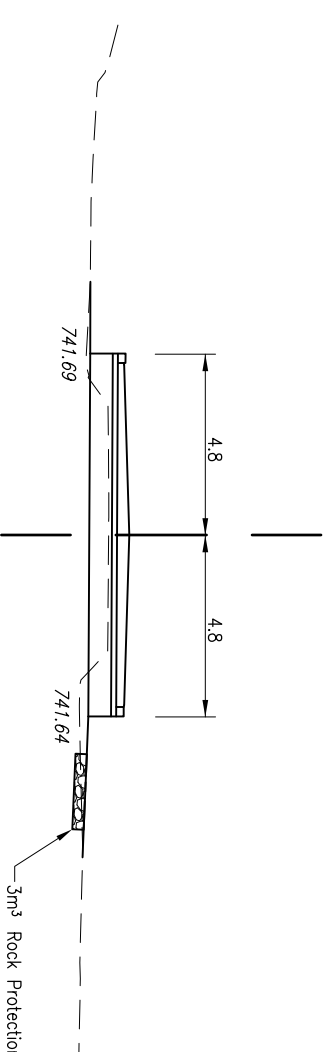
6/1200x600 RCBC (9.60) 28910
Cast In-Situ Headwalls

Levee L 28860



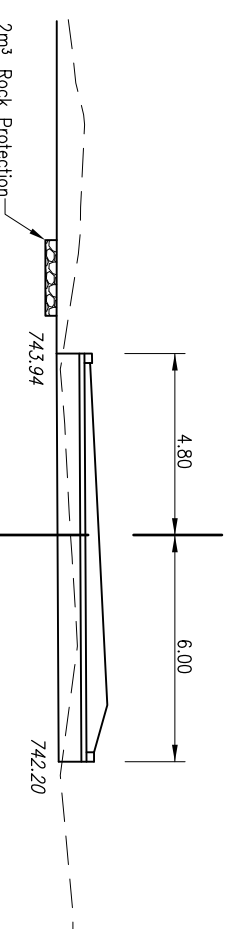
3/1200x600 RCBC (9.60) 35854
Cast In-Situ Headwalls

Existing 450 RCP (7.62) 35854
To be Removed

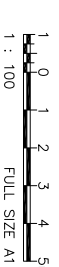


2/1200x600 RCBC (9.60) 34348
Cast In-Situ Headwalls

Existing 375 RCP (8.15) 34348
To be Removed



1200x600 RCBC (10.80) 33200
Cast In-Situ Headwalls



ISSUE	DATE	DESCRIPTION / APPROVED USE	DRAWN	APP'D
B	7/2/24	ERROR IN CULVERT DESCRIPTION	TW	PD
A	28/11/23	FOR CONSTRUCTION	TW	PD

CONTRACTORS AND SUBCONTRACTORS MUST VERIFY DIMENSIONS ON SITE BEFORE COMMENCING ANY WORK OR PREPARING SHOP DRAWINGS. USE WRITTEN DIMENSIONS ONLY.

COPYRIGHT OF THIS DRAWING OR DESIGN IS HELD BY THE DESIGNER. RECS CONSULTING ENGINEERS, NO PART OF THIS DRAWING OR DESIGN MAY BE REPRODUCED IN ANY FORM WITHOUT THE WRITTEN CONSENT OF THE DESIGNER. CONSTRUCTION CONTRACTORS ARE RESPONSIBLE FOR ARRANGING ANY NECESSARY INSPECTIONS OF THE WORKS AND OBTAINING ANY NECESSARY COMPLIANCE OR CERTIFICATION DOCUMENTATION.

RECS
CONSULTING
ENGINEERS

ABN 95-081 197 006
Port Douglas
PO Box 894 QLD 4877
Phone (07) 40996010
E:mail:admin@recs.net.au
www.recs.net.au
RPECQ 5412

PROJECT
FORSAYTH - EIVASLEIGH ROAD

FOR
ETHERIDGE SHIRE COUNCIL

TITLE
DRAINAGE CROSS SECTIONS

SCALE (BY FULL SIZE)
1 : 100

PROJECT NO. 96-2023 C11 B
DRAWING NO.